

Magnifying lighting

Sunnex CLM 2x18W, 1x36W, 2x36W, 2x55W

Market leader in technology, quality and ergonomics

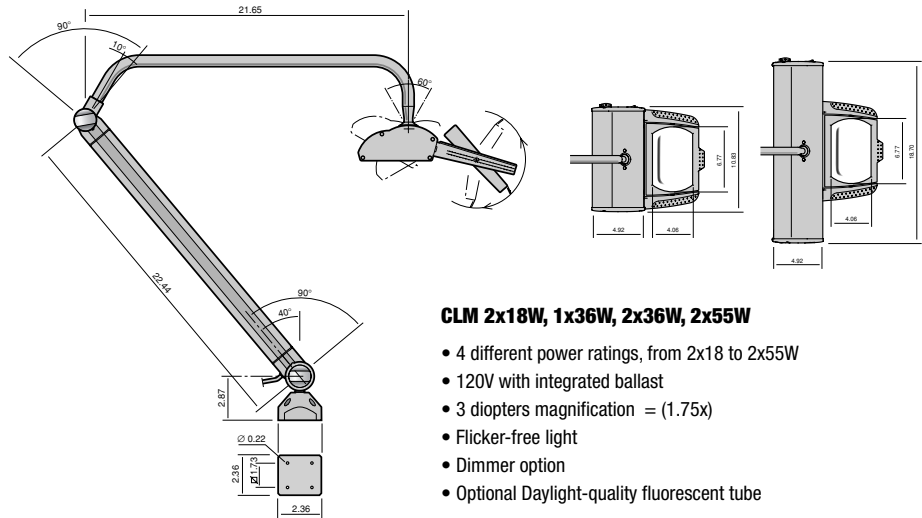
The Sunnex CLM is a first-class series of magnification lighting, equipped with the latest technology in lighting and arm construction.

The Sunnex CLM is easy to set up thanks to its ergonomic easy-to-grip handle and individually adjustable magnifying glass. In addition, the unit provides distortion free magnification of 3 diopters (1.75X).

The lamp head is manufactured of anodized aluminum and equipped with compact fluorescent tubes with power ratings up to 2x55W. The Sunnex CLM can be equipped with flicker-free lighting (HF ballast), dimmer (100-1%) and daylight tubes for the best visual ergonomics.

Application areas

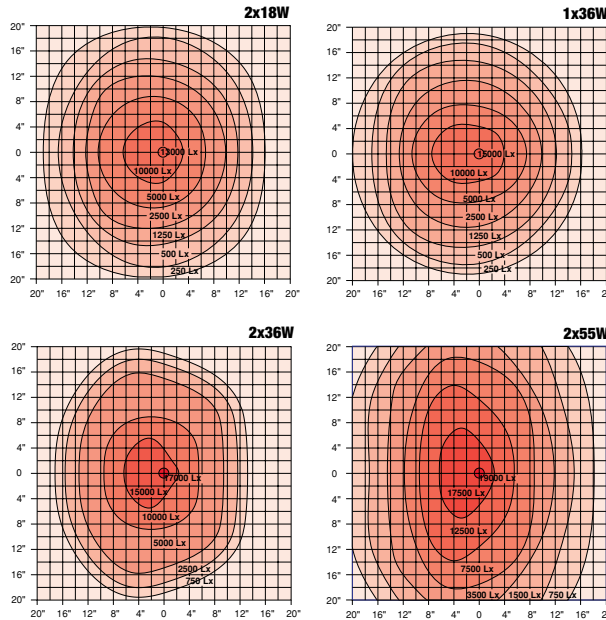
Easy to adjust, the CLM's spring-loaded self balanced joints also ensure that the lamp stays in place, even when the environment is tough and demanding. Ideal for applications requiring detailed inspection including electronics, medical, industrial and repair shops.



CLM 2x18W, 1x36W, 2x36W, 2x55W

- 4 different power ratings, from 2x18 to 2x55W
- 120V with integrated ballast
- 3 diopters magnification = (1.75x)
- Flicker-free light
- Dimmer option
- Optional Daylight-quality fluorescent tube

Light strength/Lux – Sunnex CLM



	Lamp head	Lamp power	Miscellaneous
■ CLM	11"	1x36W	Flicker-free - Daylight tube
		2x18W	Flicker-free - Daylight tube
			Flicker-free - Dimmer - Daylight tube
	19"	2x36W	Flicker-free - Daylight tube
	23"	2x55W	Flicker-free
			Flicker-free - Dimmer
			Flicker-free - Daylight tube
			Flicker-free - Daylight tube - Dimmer

hi-Tech lamps

800-229-6509

info@hi-techlamps.com

PRODUCT INFORMATION

Sunnex CLM is sold in standard design by Sunnex Inc. All Sunnex lighting is delivered standard with a screw clamp mounting. Should you wish to have any other type of mounting, please see the brochure Sunnex Workplace Lighting – Technical Documentation, contact your dealer or call Sunnex Inc. directly. To avoid injury, all assembly and mounting should be performed by authorized personnel with the necessary knowledge about the product, its installation and the user environment. We reserve the right to make changes to components and designs. This datasheet replaces all previous issues.

Sunnex CLM
Magnifying lighting



Hi-Tech lamps

800-229-6509

info@hi-techlamps.com

 sunnex®