

PF Series – Multipurpose examination lights

PF EXAMINATION LIGHTS

- » Vented lamp shade with special reflector minimizes heat output
- » Swivel joint lamp head allows for easy vertical and horizontal adjustment of light
- » Adjustable arm levers allow for easy vertical and horizontal positioning
- » Choice of flexible gooseneck or articulated arm models
- » Easy installation and maintenance
- » High intensity 50-watt halogen light source
- » Quick adjust handle for easy light positioning



TECHNICAL SPECIFICATIONS:

Power supply: 120V or 230V

Light intensity: 31,000 lux/2,900 footcandles

Light source: Halogen Bulb – Dichroic 12V/50W/10°

Light color temp: 4,100 K

Switch: Rocker switch

Color: White – RAL 9002

Configuration:	Ceiling	Wall	Mobile
Weight:	17.6 lbs	6.82 lbs	15.8 lbs



Ceiling Art.No.: **PF2017-44**



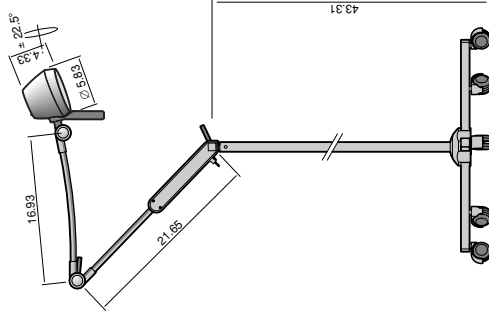
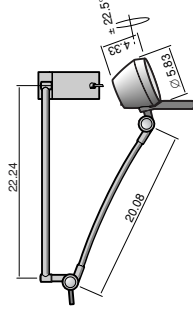
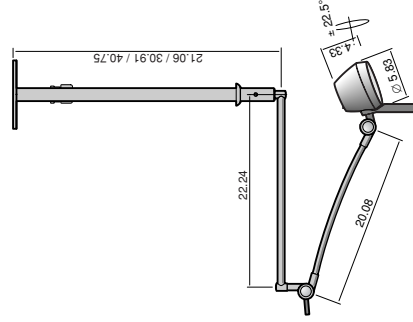
Wall Art.No.: **PF2015-44**



Mobile Art.No.: **PF2016-44** articulated arm



Mobile Art.No.: **PF2006-32** gooseneck arm



hi-Tech lamps

800-229-6509

info@hi-techlamps.com