

800-229-6509
info@hi-techlamps.com

The Sunnex RLM is an economical illuminated magnifier designed for general inspections. It comes standard with a 5-diopter (3X) lens for magnification, and a 3X add-on lens is also available for enhanced magnification. The fluorescent lighting provides day light effect without flash.



• 5-diopter (3X) add-on lens (optional)



Ordering Information:

Standard C-Clamp magnifier light models:

- Part # RLM-CL-120V (120V operation)
- Part # RLM-CL-230V (230V operation)

Caster base model:

- Part # RLM-CLT-120V
- Part # RLM-CLT-230V

Floor base model:

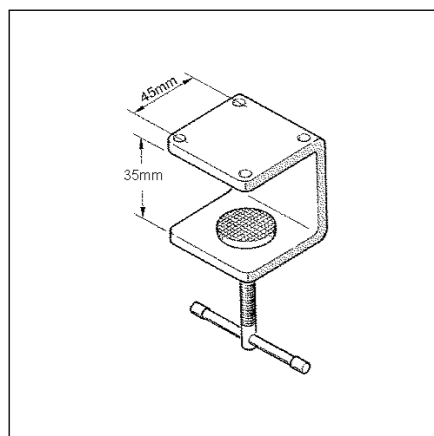
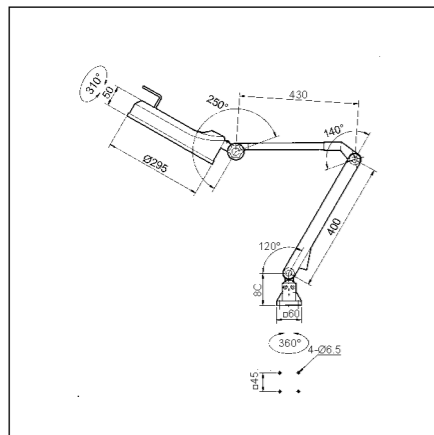
- Part # RLM-CLF-120V
- Part # RLM-CLF-230V

Optional 3X add-on lens:

- Part # RLM-5XMAG

Color:

- RAL 9002 (white)



Features Include:

- 5-diopter (3X) lens for magnification
- 22-watt fluorescent ring light
- Protective plastic cover
- Furnished with 1.8m (70") cord
- Choice of 110V or 230V operation
- Optional 3X add-on lens available
- Available in standard c-clamp or optional mobile version

Additional Features for mobile option include:

- Equipped with a rigid steel tube and weighted base for added stability
- Easy glide casters under base allow for smooth movement throughout the workplace.
- Quick adjust lever at base for easy adjustment