



High-Frequency Fluorescent Ring Illuminators

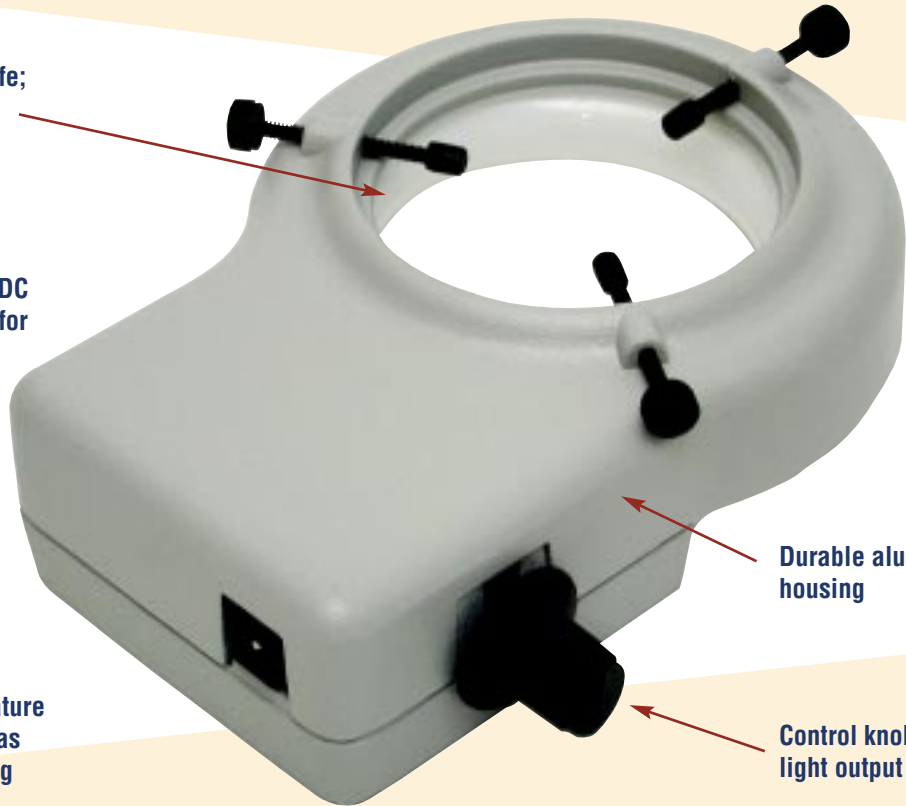
T E C H N I L I G H T - T L C 7 A N D T L C 8

Extremely long lamp life; provides diffuse and even illumination

Includes universal AC-DC power supply suitable for use around the world

Adapters available for virtually every microscope

Daylight color temperature ideal for digital cameras and other color imaging



Durable aluminum housing

Control knob varies light output (TLC7 only)

Unique Adjustable Intensity Circuit

All TLC7/ TLC8 TechniLight fluorescent ring illuminators operate at high frequency. By operating at high frequency, these lights remove problems associated with high-speed imaging. Images taken under these lights are very uniform, given the uniformity of the lighting created by the high-frequency light. All TLC7 TechniLight fluorescent ring illuminators contain a dimming circuit that enables you to vary the intensity without affecting the color temperature. Unlike other dimming units in the marketplace, the TLC7's unique microprocessor-controlled circuit automatically adjusts the internal bulb filament heaters to prevent a loss in bulb life when operating at low intensity.

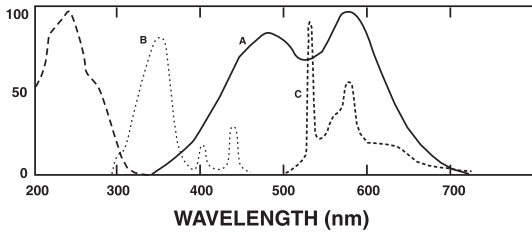
COMMON USES

High-frequency fluorescent ring illuminators are commonly used when a highly stable even and diffuse daylight source is required.

Common Uses:

- Lighting for machine vision, measuring microscopes, video microscopes, digital imaging and photography
- Applications in which rapid shutter speeds are being used or in which video framegrabber cards are in use
- UV curing in electronics, medical and other industrial applications

LAMP SPECTRUMS



- A White Lamp (600 K) T-Q/WTL
- B UV Blue Lamp T-Q/BTL
- C Yellow Lamp T-Q/YTL

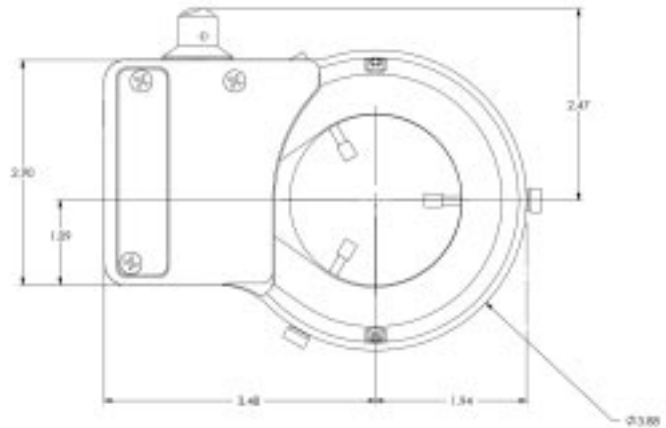
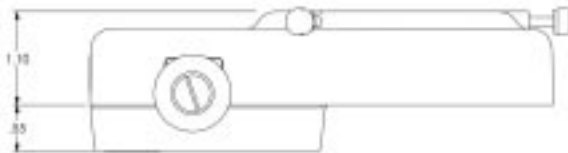
Illuminator Selection Guide

Part #	TLC7	TLC8
Electronic Brightness Control	Standard	N/A
Standard Lamp	XTL	WTL
Optional Lamp	N/A	BTL, YTL
Frequency	85,000 Hz	
Standard Power Input	100-240 VAC	
Enclosure Material	Aluminum	
Surface Finish	Baked enamel	
Standard Color	Beige	
Standard Power Plug	US plug	
Optional Power Plugs	Specify type (country)	
Standard Cord Length	144 inches	
Dimensions	See drawing	
Warranty	1 year	

Lamp Selection Guide

Part #	WTL	BTL	YTL	XTL
Color	White	Black UV	Yellow	White
Fits	All except TLC7			TLC7
Color Temperature	See chart			
Life	4600 hours			
Min. Order Quantity	1			

LAMP DIMENSIONS



Hi-Tech lamps

800-229-6509

info@hi-techlamps.com

