

**Product Information Bulletin**

**ELC**

**ELC / 64653 HLX**

**ELC-3/X**

**ELC-7/X**

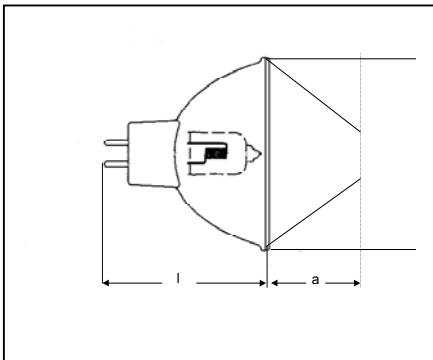
**Low Voltage Tungsten Halogen Lamps with Reflector**

- Full series of ELC lamps
- Dichroic coated glass reflector (MR16)
- Rugged design
- The ELC 64653 HLX, ELC-3/X and ELC-7/X use OSRAM XENOPHOT® technology (Xenon fill gas)
- New ELC-7/X lamp with 700 hrs. service life



**TECHNICAL DATA**

Ordering Abbreviation		ELC	ELC / 64653 HLX	ELC-3/X	ELC-7/X
<b>Electrical Data:</b>					
Watts	W	250	250	250	250
Voltage	V	24	24	24	24
<b>Photometric Data:</b>					
Screen Lumens	lm	800	800	550	475
<b>Geometrical Data:</b>					
Length l Max.	mm	44.83	44.5	44.83	44.83
Working Distance a	mm	31.75	35.0	31.75	31.75
Diameter d	mm	51	51	51	51
<b>Other Data:</b>					
Average Service Life	hrs	50	50	300	700
Color Temperature	K	3400	3400	3250	3200
Base		GX 5.3	GX 5.3	GX 5.3	GX 5.3
Bulb		T3.5	T3.5	T3.5	T3.5
Operating Position		Any	p 90/15	Any	Any



**APPLICATION INFORMATION**

**Applications**

- Overhead Projection
- Fiber-Optic
- Entertainment

**WARNING**

This lamp emits ultraviolet (UV) radiation and operates at high internal pressure. **Before use**, read the complete warning accompanying the product.

**Disposal**

When disposing of spent lamps, always consult federal, state, local and provincial hazardous waste disposal rules and regulations to ensure proper disposal.

**hi-Tech lamps**

800-229-6509

info@hi-techlamps.com

SEE THE WORLD IN A NEW LIGHT

**OSRAM**